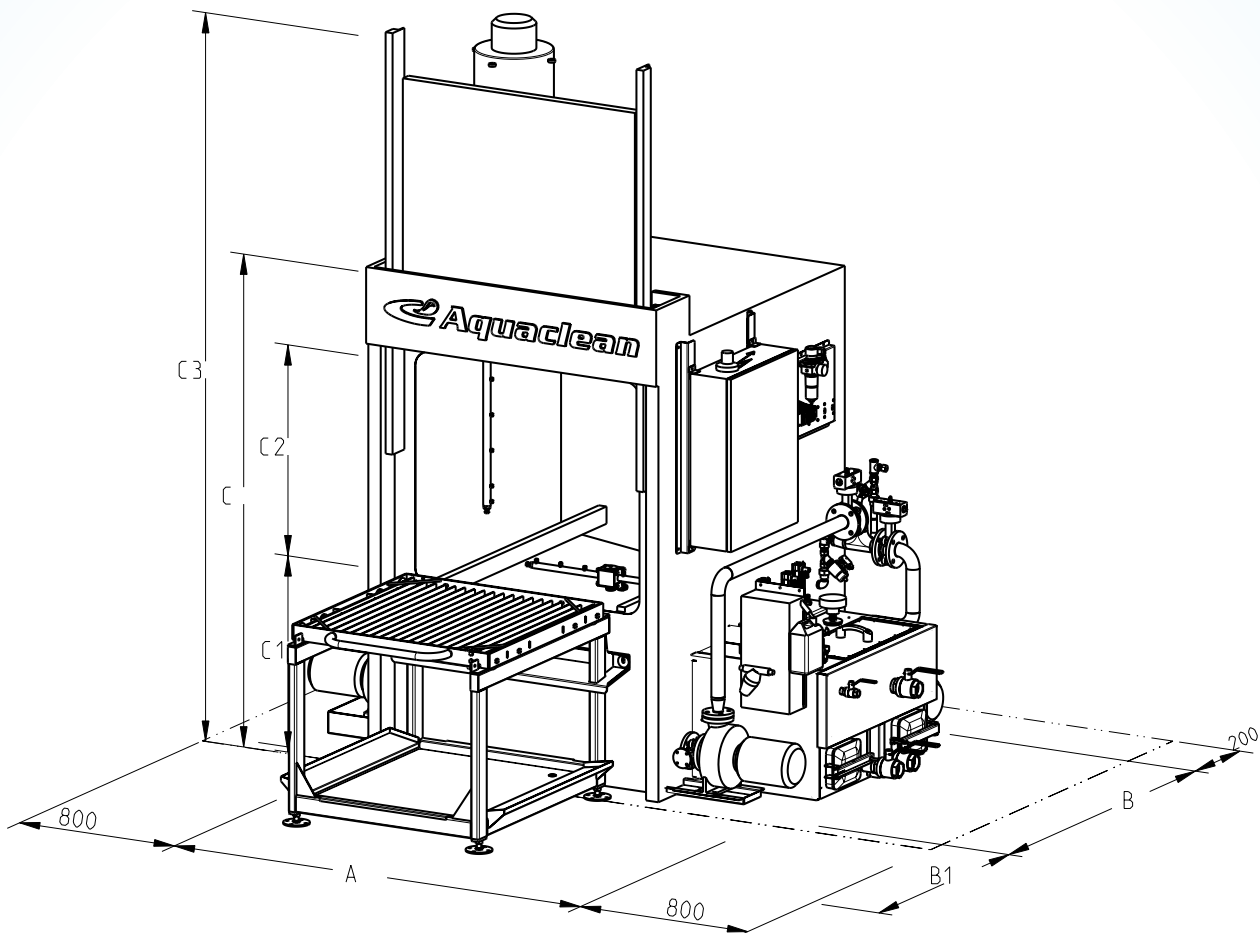
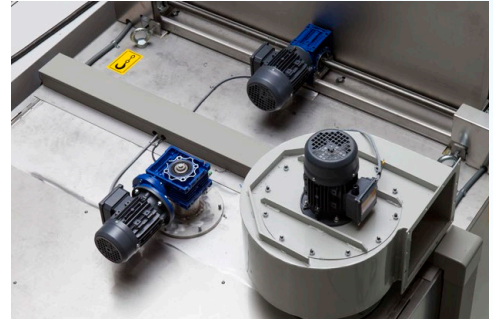


Main technical data for an aqueous spray cleaning machine, for cleaning heights 900, 1200, 1500 and 1800 mm.



MAIN DIMENSIONS (mm)		AC-1.3-2LD (C2=900)	AC-1.3-C12-2LD (C2=1200)	AC-1.3-C15-2LD (C2=1500)	AC-1.3-C18-2LD (C2=1800)
Width	A	2350	2350	2350	2350
Depth	B	1690	1690	1690	1690
	B1	1170	1170	1170	1170
Height	C	2320	2720	3020	3320
	C1	910	910	910	910
	C2	900	1200	1500	1800
	C3	3390	3990	4590	5190
Load Carriage	L x W	1000	1000	1000	1000



TECHNICAL DATA		AC-1.3-2LD (C2=900)	AC-1.3-C12-2LD (C2=1200)	AC-1.3-C15-2LD (C2=1500)	AC-1.3-C18-2LD (C2=1800)
Tank volume l	Tank 1	500	500	500	500
	Tank 2	400	400	400	400
Heating capacity kW	Tank 1	24	24	24	24
	Tank 2	12	12	12	12
Pump flow l/min	Stage 1	350	400	450	540
	Stage 2	300	330	370	410
Pump pressure bar	Stage 1	4	4	4	4.5
	Stage 2	2.5	2.5	2.5	2.5
Pump motor kW	Stage 1	5.5	5.5	5.5	7.5
	Stage 2	3	3	3	3
Max. component dimensions	L x W ^{mm}	1000	1000	1000	1000
	Height ^{mm}	900	1200	1500	1800
	Diam. ^{mm}	1100	1100	1100	1100
	Weight ^{kg}	800	800	800	800
Machine weight	kg	1410	1490	1570	1650
Connection power	kW	40	40	40	40