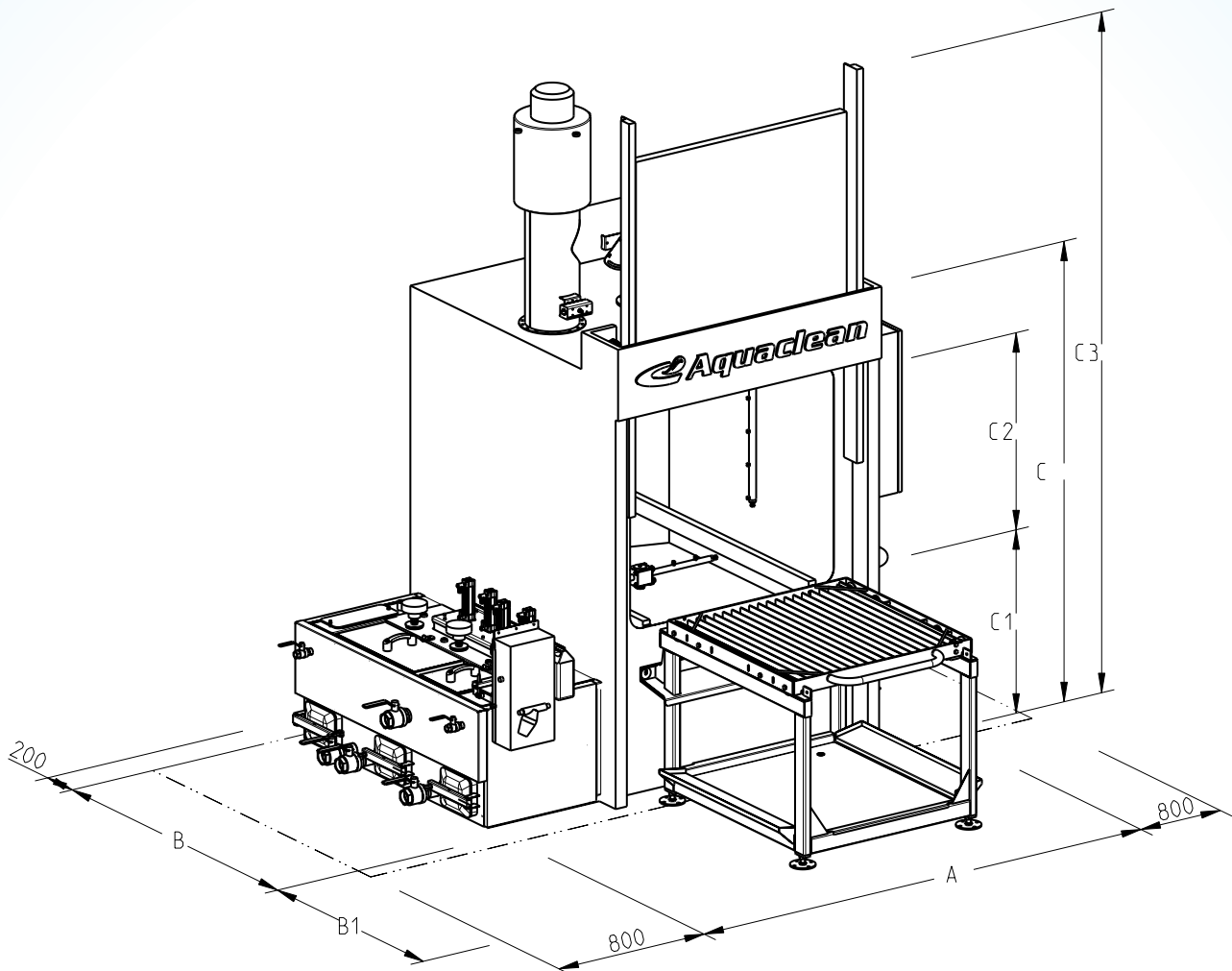


Main technical data for an aqueous spray cleaning machine, for cleaning heights 900, 1200, 1500 and 1800 mm.



MAIN DIMENSIONS (mm)		AC-2.5-3LD (C2=900)	AC-2.5-C12-3LD (C2=1200)	AC-2.5-C15-3LD (C2=1500)	AC-2.5-C18-3LD (C2=1800)
Width	A	4250	4250	4250	4250
Depth	B	2790	2790	2790	2790
	B1	2270	2270	2270	2270
Height	C	2415	2715	3015	3315
	C1	910	910	910	910
	C2	900	1200	1500	1800
	C3	3390	3990	4590	5190
Load Carriage	L x W	2000	2000	2000	2000



TECHNICAL DATA		AC-2.5-3LD (C2=900)	AC-2.5-C12-3LD (C2=1200)	AC-2.5-C15-3LD (C2=1500)	AC-2.5-C18-3LD (C2=1800)
Tank volume l	Tank 1	1100	1100	1100	1100
	Tank 2	900	900	900	900
	Tank 3	850	850	850	850
Heating capacity kW	Tank 1	48	48	48	48
	Tank 2	24	24	24	24
	Tank 3	24	24	24	24
Pump flow l/min	Stage 1	620	670	720	770
	Stage 2	480	520	560	600
	Stage 3	480	520	560	600
Pump pressure bar	Stage 1	5.0	5.0	4.8	4.8
	Stage 2	3.0	3.0	2.8	2.8
	Stage 3	3.0	3.0	2.8	2.8
Pump motor kW	Stage 1	11	11	11	11
	Stage 2	4	4	4	4
	Stage 3	4	4	4	4
Max. component dimensions	L x W mm	2000	2000	2000	2000
	Height mm	900	1200	1500	1800
	Diam. mm	2300	2300	2300	2300
	Weight kg	2000	2000	2000	2000
Machine weight	kg	3200	3300	3500	3700
Connection power	kW	97	97	97	97