

# P 60/80

## PARTS WASHERS WITH ROTARY BASKET AND ELECTROMECHANICAL COMMANDS

P is a system for automatic washing of mechanical parts. The washing is carried out by the action of upper, lower and side jets. Basket rotates through a gear motor. The board is electromechanical. Operators can set the tank liquid temperature as well as the length of the treatment cycle.



- P 60
- P 80

### VERSION

Electric, LT, maximum temperature 60°C

### SUPPLY VOLTAGE

400V 3PH+T 50 HZ (and more on demand))

P 60/80

9

## EQUIPMENT

### What is included in all P 60 and 80 machines

- Electromechanical control board
- Mechanical rotation of the basket by a gear motor
- Reinforced basket in electrowelded net with external edge of galvanized steel
- Tank minimum level control for the protection of pump and resistor
- Electric pump in stainless steel AISI 304 with special Gaskets
- Filter in stainless steel AISI 304 on the pump suction
- Tank edge Gasket
- Electrical box of painted metal
- Safety limit switch on the cover opening
- Structure and plates in stainless steel

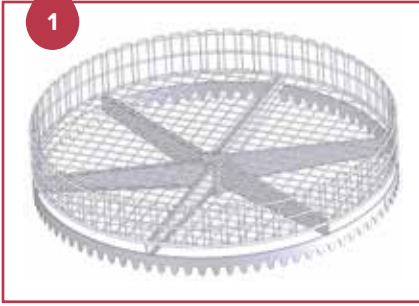
- Liquid heating with electric resistor in stainless steel
- Laser-drilled washing pipes in stainless steel (more pressure, less maintenance)
- Flexible suction and pump delivery pipes (easy maintenance)

### What are the additional accessories

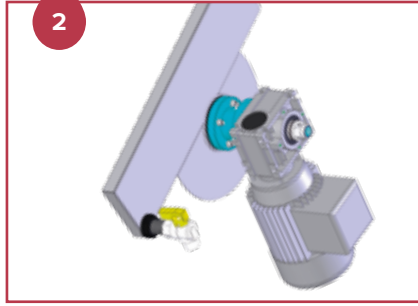
- Basket in stainless steel AISI 304 [ 1 ]
- Disc oil separator [ 2 ]
- Panels under the basket with grease collecting filters [ 3 ]
- Kit for use with abrasive contaminants
- Pipes with blade-nozzle in stainless steel

SIMPLICITY  
SIMPLICITY

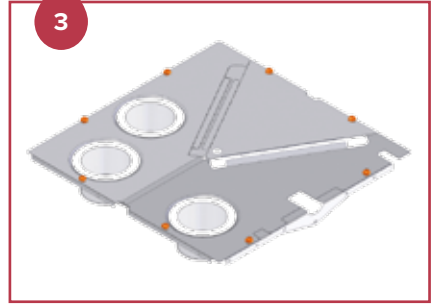
1



2



3



## TECHNICAL DATA

TECHNICAL DATA	P 60	P 80
Closed machine overall dimensions (L x P x H)	92 x 78 x 100 cm	112 x 100 x 110 cm
Opened machine overall dimensions (L x P x H)	92 x 86 x 153 cm	112 x 105 x 185 cm
Washing capacity (Ø x H)	58 x 38 cm	78 x 43 cm
Basket load capacity	100 kg	100 Kg
Tank capacity	60 lt	130 lt
Washing pump	0,55 kW 2,5 bar 120 lt/min	0,55 kW 2,5 bar 120 lt/min
Washing heating	4,0 kW	4,0 kW
Mechanical rotation	0,09 kW	0,09 kW
Disc oil separator	24	30
Supply	3PH+T	aria comp. 6 bar

P 60/80

10

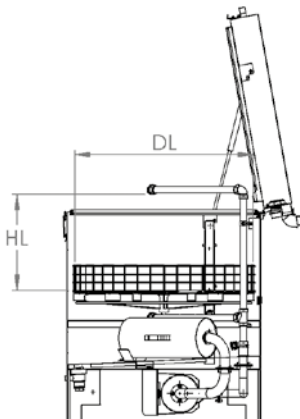
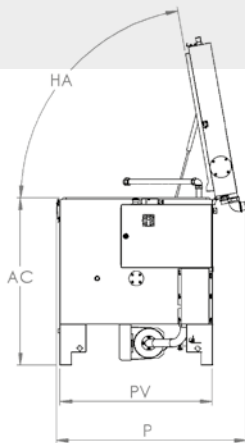
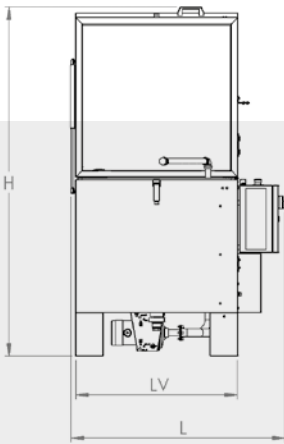
## CONNECTIONS

TYPE	P 60	P 80
Tank drain outlet	F 1" Gas	F 1" Gas
Oil separator drain outlet	M 1/2" Gas	M 1/2" Gas
Steam drain outlet	Ø 50 mm	Ø 50 mm



## DIMENSIONS

DIMENSIONS	P 60	P 80
L (width)	92 cm	112 cm
P (depth)	86 cm	105 cm
H (height)	153 cm	185 cm
DL (washing diameter)	58 cm	78 cm
HL (washing height)	38 cm	43 cm
AC (loading height)	83 cm	92 cm
LV (tank width)	64 cm	84 cm
PV (tank depth)	64 cm	84 cm
HA (opening angle)	80°	80°



SIMPLICITY  
SIMPLICITY